

HDMI KVM Extender

ND8110HEK-50



FEATURES

- Transmits HDMI video and audio signals up to 50M over a single CAT6 cable ;
- Support video resolution up to 1920*1080@60Hz
- Compliance with HDMI 1.3 standard
- Support local loop output
- Support USB 1.1 standard
- Support POC unilateral power supply
- Support HDCP 1.3 -- High-bandwidth digital content protection technology
- High compatibility, can auto-match source and display device
- Built-in automatic adjustment system, make the image smooth, clear and stable
- Easy to install, plug and play ;



Newbridge® The HDMI KVM extender provides extension of HDMI signals long distances over a single UTP cable, it supports high resolution up to 1080p, and support keyboard and mouse. The extender can use for a wide range of applications requiring long distance transmission of high resolution with high quality by its good stability and powerful security.

HDMI KVM Extender

ND8110HEK-50



Specifications

Parameter		Description
Video	Standards	HDMI 1.3;HDCP1.3
	Maximum pixel clock	165MHz
	Maximum data rate	6.75Gbps
	Resolution	1920X1080@60Hz
	Connector	HDMI-A
	Impedance	100Ω
Ethernet	Interface	RJ45
	Transmission distance	CAT6---50M
USB	Interface protocol	USB1.1
	Interface type	PC:USB-B KVM:USB-A
	Signal type	Digital signal
Other	Power supply	The power adapter: DC 5V/1A
	Power dissipation	MAX 3W
	Temperature	Operating: -5℃ ~ +70℃
	Humidity	Operating: 5% ~ 90%
	The warranty	1 year free warranty

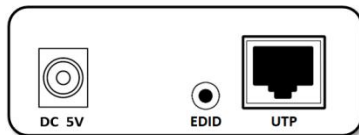
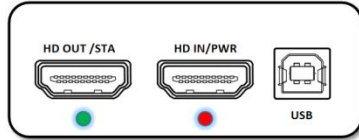
HDMI KVM Extender

ND8110HEK-50

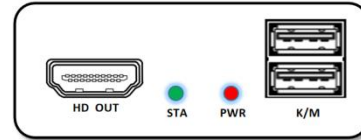


Panel

Transmitter:



Receiver:



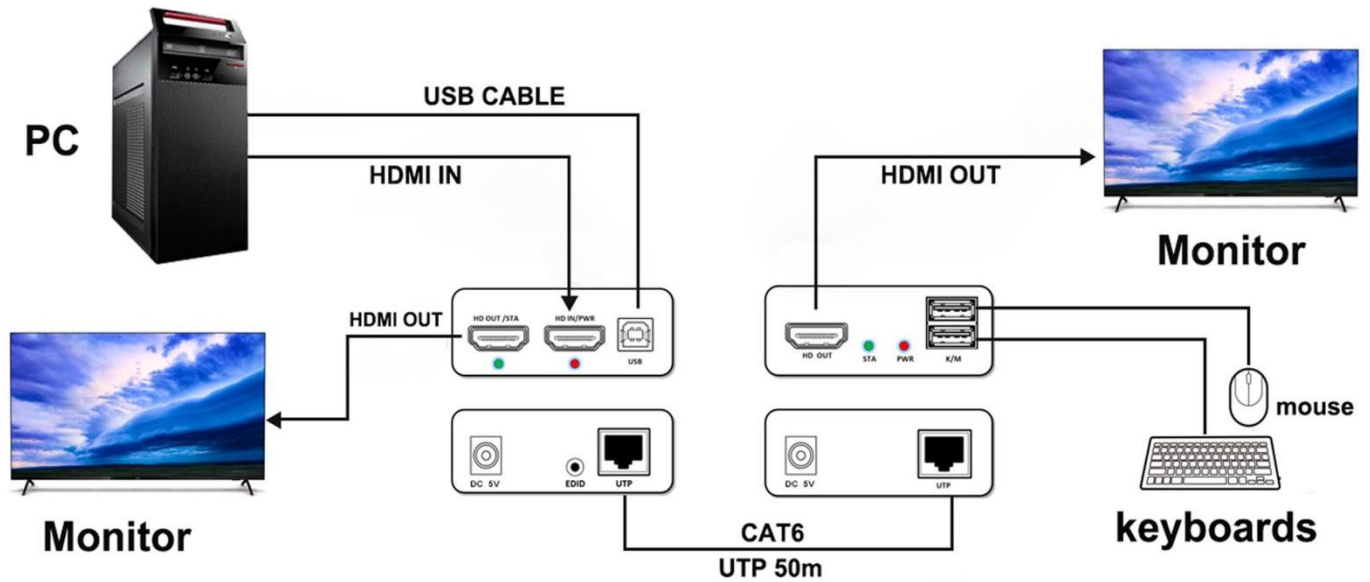
Port name	Description
HDMI IN/HDMI OUT	HDMI signal input/output
UTP	RJ45 network interface
DC5V	Power adapter socket
EDID	EDID Copy button, Press 3 seconds, copy EDID from HD OUT display device to system .If HDMI IN interface no display connect, restore default EDID.
USB	USB signal input
K/M	Keyboard and mouse interface
LED indicator	Description
PWR	System power indicator
STA	HDMI signal indicator

HDMI KVM Extender

ND8110HEK-50



Application



Order Information

Part No	Description of product	Unit
ND8110HEK-50	HDMI kvm extender,50m,HDMI 1.3; HDCP 1.3, 5V1A/DC, up to 1920*1080/60Hz.3D	pair