

# 10/100M Optical Fiber Switch

ND-820-1FX8TX-SC



## FEATURES

- 1\*100M SC fiber interface (FC/LC optical port can be customized); 8\*10/100M Ethernet interfaces
- Maximum transmission distance: 0.5 ~ 120 km
- The dynamic buffer allocation in front equalizes the network load and prevents blocking
- Adopt IEEE802.3 10BaseT Ethernet and IEEE802.3u 100base-tx, and 100base-fx fast Ethernet standards
- Each UTP exchange port of the exchange port can automatically recognize the straight line (MDI) and the cross line (mdi-x)
- Support 1024 MAC addresses
- Automatic MAC address learning and update function
- select store-and-forward
- Ballast provides maximum 4G data storage bandwidth
- Enable LED indicator light to monitor the working status of each port



Newbridge® The serials optical fiber transceiver(switch) is a new type of high performance transmission equipment developed and produced .All equipment and system performance indicators meet international standards and meet your technical requirements.This series of optical fiber transceivers is designed for urban fiber digital broadband network. The product is positioned in the broadband network access market based on the design idea of high quality, high reliability, high bandwidth and low price.It can provide users with broadband bandwidth, stable performance, powerful functions, and low cost urban broadband fiber network solutions for telecom level operation services.

Each UTP port of the series fiber transceivers can be connected via the twisted pair to Ethernet network devices such as hubs, fiber transceivers, routers, servers, or network CARDS on the workstation.

Each fiber port of the series fiber transceivers can be connected to another fiber transceiver or hub, fiber transceiver, fiber optic port or server on the router, and Ethernet fiber devices such as fiber optic CARDS on the workstation through the corresponding mode fiber optic.Will be required for the optical transceiver ports used with corresponding port connected to the docking with the equipment, the lagging POWER outlet of the unit with POWER cord attached to the AC POWER supply, the front panel LED light will flash in sequence of the unit, when the machine is the introspection, self-inspection after the completion of the POWER indicator light and have the light on the connection status will as described below indicate the optical transceiver the working state of the port

# 10/100M Optical Fiber Switch

ND-820-1FX8TX-SC



## Specifications

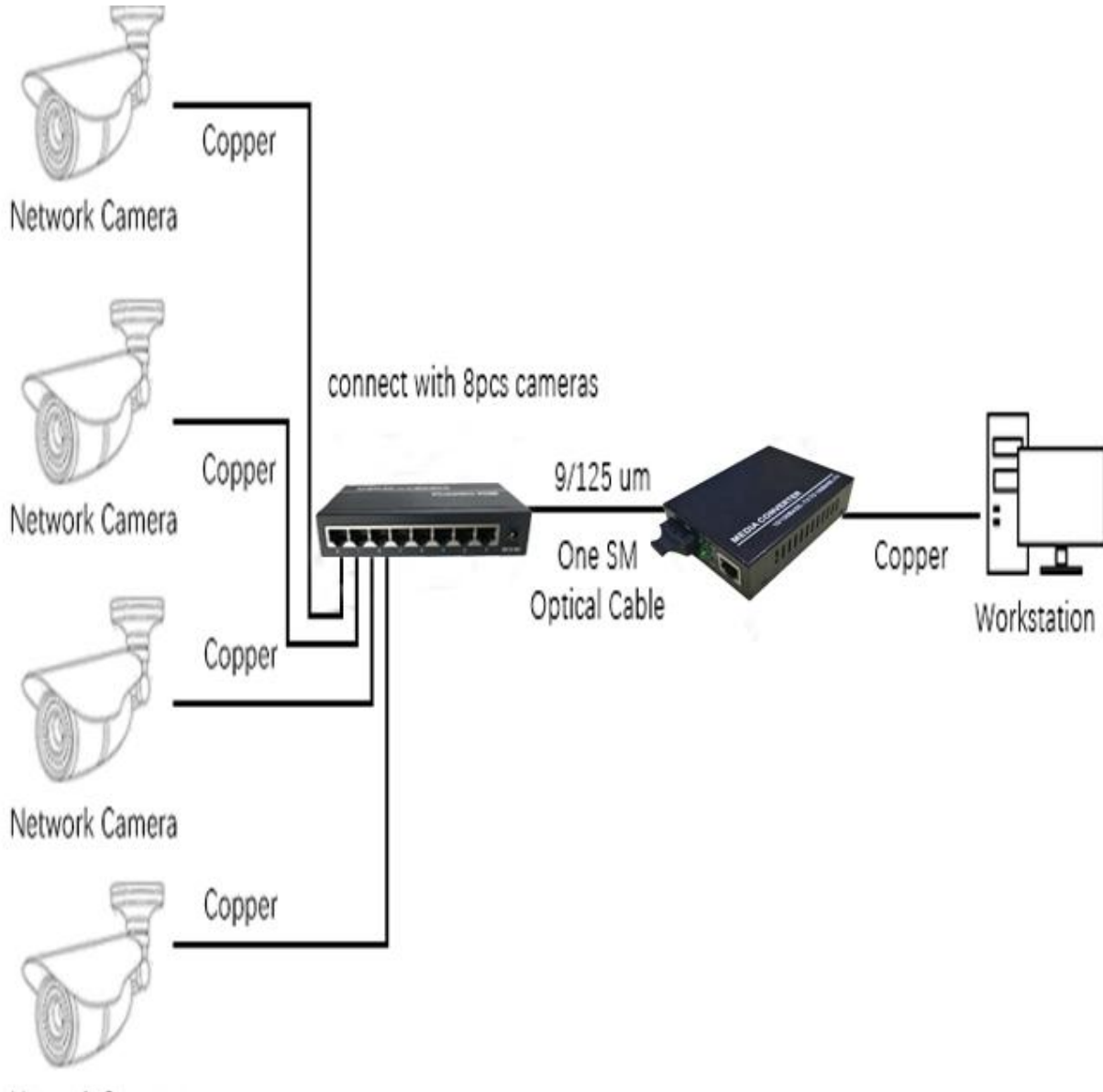
Parameters	Specification
Standards	IEEE 802.3 10Base-T IEEE 802.3u 100Base-TX/FX
Rj45 port	8 Rj45 port 10/100Base-T(X) auto negotiation speed, Full/Half duplex mode, Auto MDI-MDI-X connection Up to 100M Cat-5 transmission distance
Fiber port	1 Fiber Port Comply with IEEE802.3z Rate: 100Mbps Wavelength: 850nm/1310nm/1550nm Up to 2KM transmission distance with multi-mode Up to 20km,40km,60km,80km transmission distance with single-mode SC/LC interfaces optional
Switch Properties	Mac address table:1k Memory buffer:256K Packet Buffer Size: 1Mbit Processing Type: Store and Forward
Power Supply	External : DC/5V2A Built-in: 90 V to 240 V AC 50Hz to 60 Hz Power Consumption : ≤5W
Operating Temperature	0 °C to +65 °C
Storage Temperature	-20 °C to +65 °C
Relative Humidity	5% to 90% (non-condensing)

# 10/100M Optical Fiber Switch

ND-820-1FX8TX-SC



## Application Diagram



## Order Information

Part No	Description of product	Unit
ND-820-1FX8TX-SC	Single-mode 1310nm, 20km,SC,220V/AC,5V2A/DC,1*100Base-Fx+8*10/100Base-Tx	pc



Shenzhen Newbridge Communication Equipment CO.,LTD.