



FEATURES

- Support IEEE802.3 af
- Output power 15W
- Output voltage 5V
- The transmission bandwidth is 10/100M
- Adopt standard PD chip and isolation transformer scheme
- With good compatibility, strong anti-interference ability, short circuit overload protection and other performance

Newbridge® ND-PS802-5 POE splitter is a PoE splitter carefully crafted by NEWBRIDGE. It conforms to the IEEE 802.3af standard and can provide DC 5V power supply for network terminals below 15W, with a transmission bandwidth of 10/100M.

The ND-PS802-5 POE splitter separates the power and data signals transmitted through the network cable, and is used with power supply equipment that conforms to the IEEE 802.3af standard (such as PoE power supply switches, PoE centralized power supplies, PoE power supply transceivers, etc.) Network devices that support PoE provide both data and power. The ND-PS802-5 splitter can output 5V voltage and can be used with power supply equipment to flexibly expand home network and office network without being restricted by the layout of power lines.

The ND-PS802-5 POE splitter is a standard isolation POE splitter produced by using standard PD chip and isolation transformer scheme. It has good compatibility, strong anti-interference ability, short-circuit overload protection and other good performance, compatible with all standard non-standard switches, It supports standard 1236 power supply and non-standard 45+ 78- power supply. The standard poe splitter can be used with standard 48V POE switches or non-standard 48V POE switches.

Specifications

Product Name	POE splitter (isolated)
Product Model	ND-PS802-5
PoE Standard	IEEE 802.3af
Network Media	10BASE-T: Cat3,4,5 UTP(≤100 meter) 100BASE-TX: Cat5 or later UTP(≤100 meter)
PoE Specification	PoE Standard: IEEE802.3af
	Power Output: Max. 15.4 watts (IEEE 802.3af)

	Input Voltage: 36V-57V
	Output Voltage: DC5V
	Power supply pin:1/2 (+) 3/6 (-) or 4/5 (+) 7/8 (-), input and output ports support 4-pin/8-pin power supply
Use environment	Working temperature: -10 °C~ 60 °C Working humidity: 10%~90% non-condensing Storage humidity: 5%~95% non-condensing
Dielectric strength	1.0KVAC/1min
Insulation resistance	≥500MΩ@500VDC
protect the circuit	surge, overheating, overcurrent
Electromagnetic Compatibility Standard EMC	EN55022 classB,EN55024,EN61000-3-2,3,EN61000-4-2,3,4,5,6,8,11

EMC

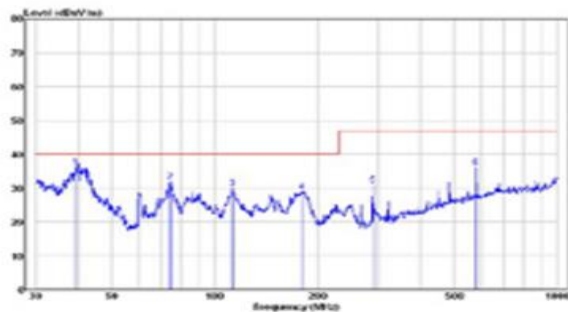
EMC performance according to international standards

Original Authentic Trustworthy
PoE splitter

Test Results

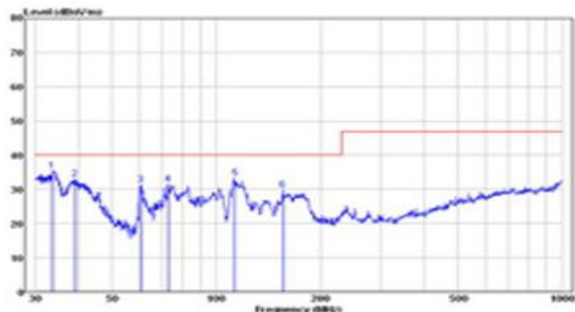
A. Radiated Emission In Horizontal (30MHz—1000MHz)

EUT Description: POE Splitter
Operation Mode: Normal operation mode

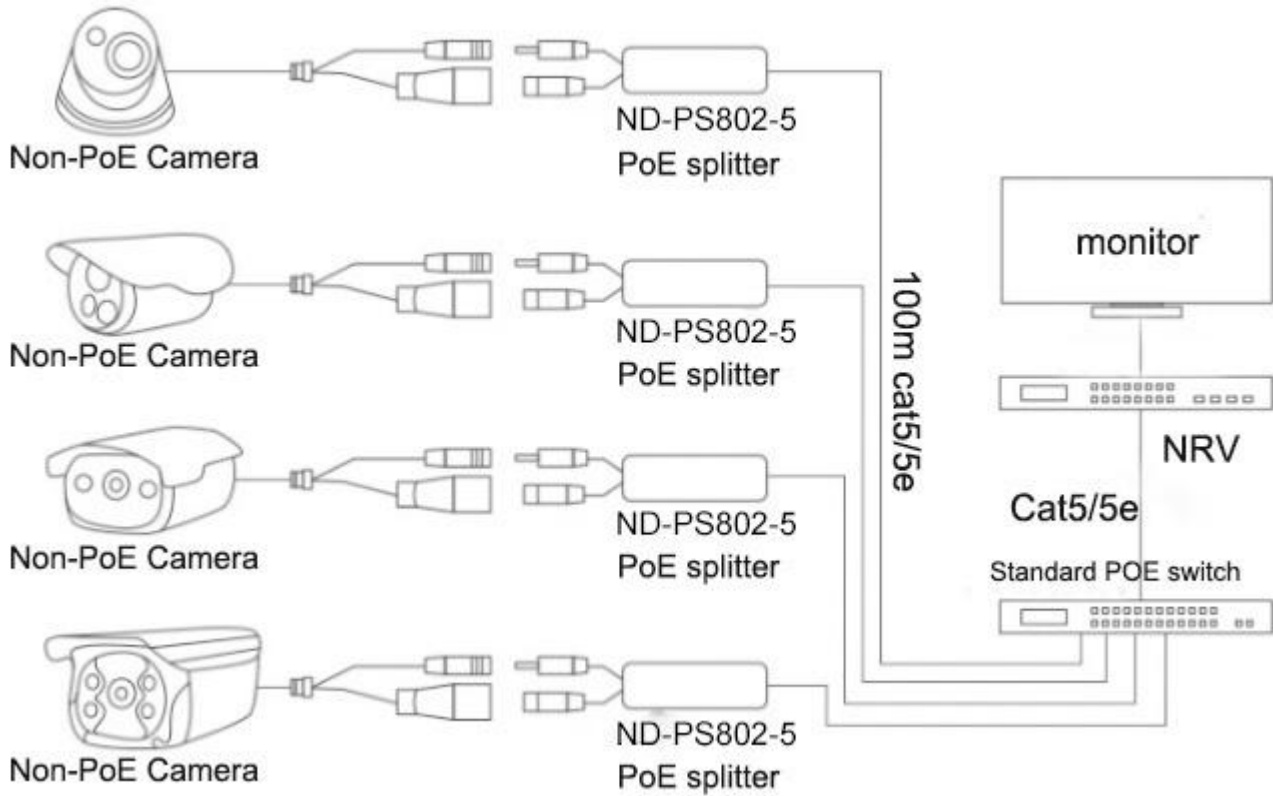


B. Radiated Emission In Vertical (30MHz—1000MHz)

EUT Description: POE Splitter
Operation Mode: Normal operation mode



Application



Order Information

Part No	Description of product	Unit
ND-PS802-5	10/100M POE splitter 15W	pc
ND-PS802G-5	10/100/1000M POE splitter 15W	pc